

GRL 84 Rolling Grill

GÜNTHER-TORE



Perfect solutions
for you



Rolling shutters/
rolling grills



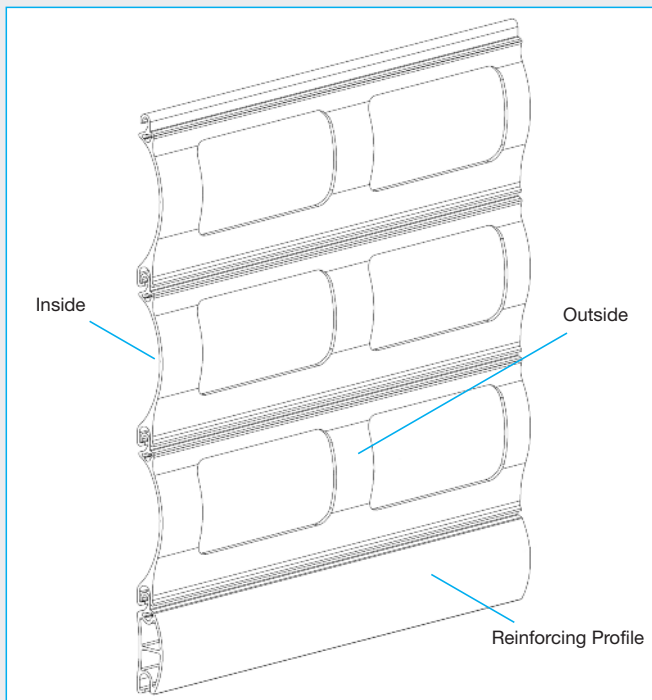
Tested quality
with the latest
safety standards,
certified to
DIN EN 13 241-1



Modern rolling shutters and rolling grills.
Reliable. Safe. Economical.

GRL 84 Rolling Grill

Always on the move



Elegant transparency – with security!

This rolling grill is manufactured from extruded aluminium profiles. It was designed for use in shopping arcades or locked shops, where security and transparency factors have to be combined. The rounded windows in the corners (100 x 51.5 mm) provide the elegant profile with a ventilation shaft of approx. 46%. The profiles are available in natural aluminium or, for a surcharge, E6/EV1 anodized or in RAL 7038, RAL 9006 and RAL 9016. If you would like the door in a RAL colour, please ask for it.

The maximum sizes

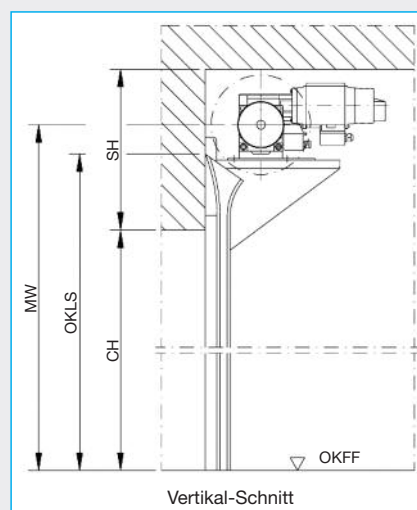
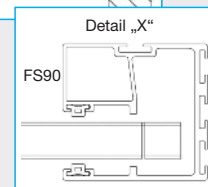
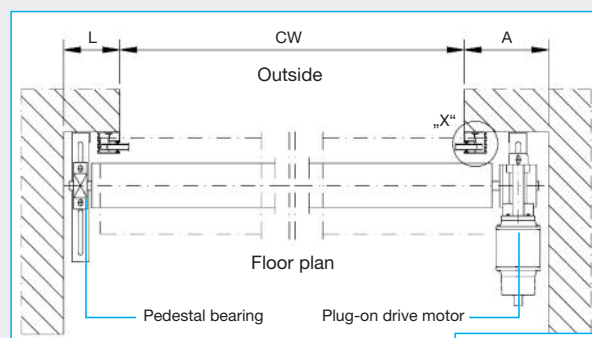
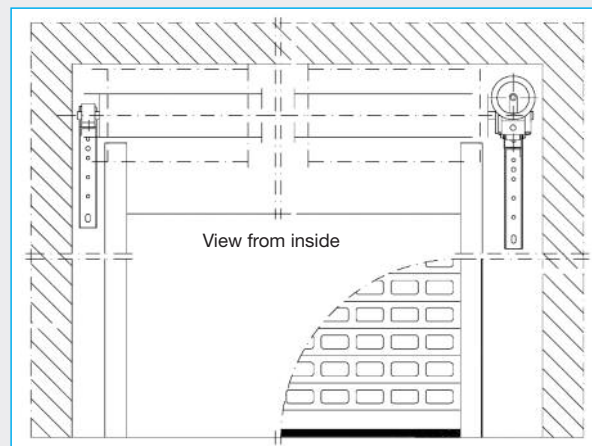
The GRL 84 model can be ordered with a clear width of up to 5500 mm without reinforcement and up to approx. 6800 mm with reinforcement.

Minimum necessary lintel height (LH), rolling grill GRL 84 ALU
(Guideline values)

Clear height CH [mm]	Clear width CW [mm]								
	2000	2500	3000	3500	4000	4500	5000	5500	6000
4000	410	410	410	410	410	410	410	410	410
3500	450	450	450	450	450	450	450	450	450
3000	470	470	470	470	470	470	470	470	470
2500	500	500	500	500	500	500	500	500	500
2000	530	530	530	530	530	530	530	530	530

Standard rolling grill GRL 84 with plug-on drive motor

FS90 guide rails, aluminium extruded profiles with a double chamber system guarantee excellent operation.



Minimum necessary space requirement sides

Clear width from ... to	2000...4000	4000...6000	6000...6835
Driving side (A)	250	250	250
Bearing side (L)	150	150	150