



Data Sheet  
High Performance Door  
**RapidRoll® 392**

The wind stays outside

Robust industrial door that offers good value for money.

Self-opening (depending on door size) once the brake has been released by the built-in counterweights.

Optional knock-out capability also available



# High Performance Door RapidRoll® 392



## ADVANTAGES OF ALBANY RAPIDROLL® 392

- curtain guides in the side frames protect the material and offer high wind resistance and a long service life
- fast opening and closing minimises energy and hear loss
- door curtain made of high-transparency PVC or very rigid RollTex® Plus for extreme mechanical demands
- robust industry standard with attractive value for money
- solid basic design that can be upgraded individually as required

## APPLICATION

- as an exterior door to prevent drafts and for access control
- as a room and environment divider to save energy indoors
- in busy transport locks

## DESIGN

Self-supporting, easy-to-install design. A counterbalance is integrated into the galvanised metal profile side frames with counterweights. The top roll is made of aluminium for doors up to 4500 mm wide and steel for wider doors. The bottom profile is made of aluminium and can be fitted with an optional knock-out capability.

## DOOR CURTAIN

The door has a curtain of clear PVC with blue vertical fabric stripes. Alternatively, for applications with greater mechanical demands, a curtain of RollTex® Plus fabric can be used. Plastic gliders are fitted to the door curtain for wind load resistance, which hold the curtain in the side frame profiles even under a heavy wind load. A curtain tension system is fitted as standard to the RapidRoll® 392.

## KNOCK-OUT CAPABILITY

The door can be fitted with an optional knock-out capability. In the event of a collision, the bottom profile swivels out and a sensor causes the door to stop. Mounting can then easily be done by hand.

## DRIVE UNIT

The drive unit is a geared brake motor. It can be fitted on the right or left.

## CONTROL SYSTEM

The door is fitted with an ACS 50 control system as standard. Frequency converter controls ACS 60 and ACS 80 are available as an option.

## MANUAL ACTIVATION

In the event of a power failure, the door can be opened by releasing the brake and manually lifting the bottom profile. The weights in the counterbalance act as a support.

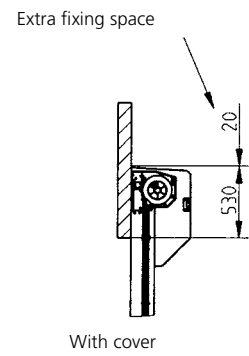
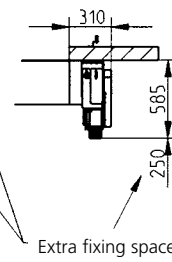
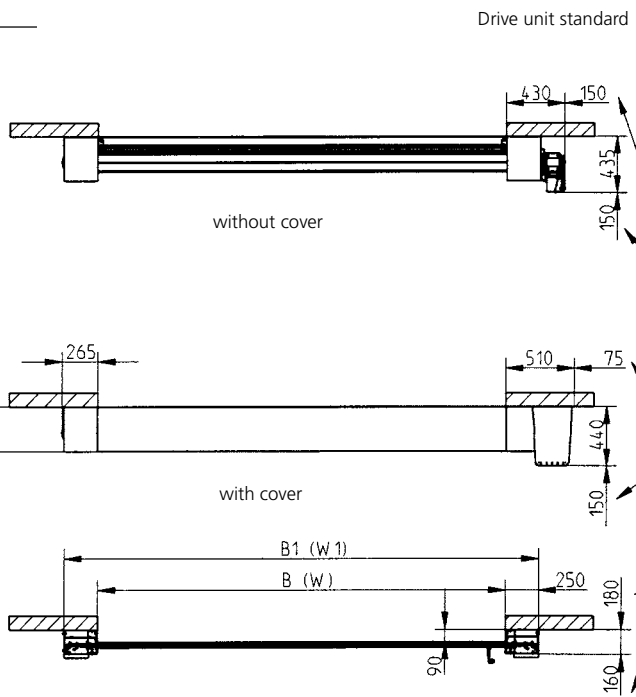
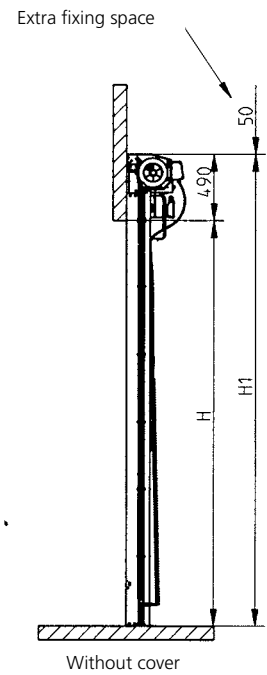
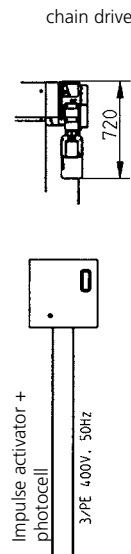
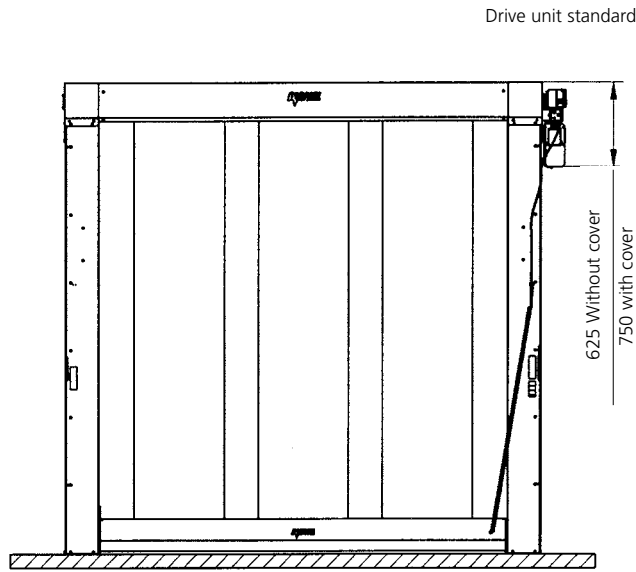
## SAFETY FEATURES

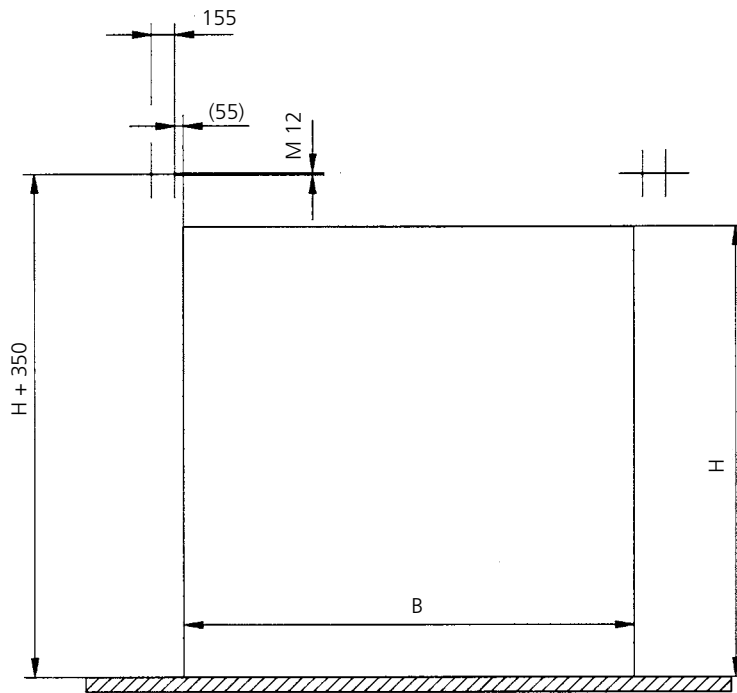
The door is designed according to the regulations of the Workplace Directive of the UVV as well as the harmonized CE Guidelines including the EN 13241-1.

## INDICATION OF RISK

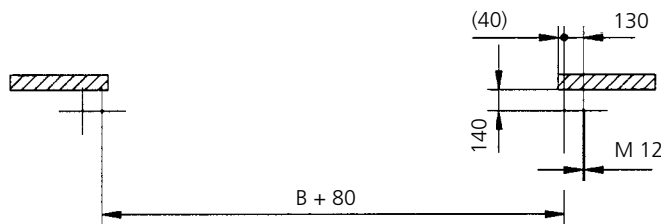
The security of the door is designed for normal use for vehicles in industrial environment corresponding to the harmonized CE-Guidelines. In consideration of the situation on site – especially in case of use by pedestrians – additional safety measures, like additional actuators may be required. In addition, special environmental conditions may have impact on the right choice of doortype. In case of any doubt, please contact our sales engineer to receive consulting on site.

Technical Data			
<b>Interior door</b>	suitable		
<b>Exterior door</b>	suitable		
<b>Wind resistance</b>	class 2 - EN 12424		
<b>Door dimension (mm)</b>	For details please note general drawing!		
DW min. / max.	2000 / 6000 mm		
DH min. / max.	2000 / 6000 mm		
<b>Opening direction</b>	vertical		
<b>Surface</b>			
Side frames	galvanised steel profile		
Bottom profile	anodised aluminium		
Top roll	≤ DW 4500 mm anodised aluminium > DW 4500 mm primed steel		
<b>Covers (optional)</b>			
Top roll cover	● <sup>1)</sup>		
Motor cover	● <sup>1)</sup>		
<b>Door curtain (alternatively)</b>			
PVC with blue reinforcement stripes	✓		
PVC with coloured reinforcement stripes	●		
PVC with silicon-free reinforcement stripes, blue/black	●		
RollTex® Plus (fabric that is stiff across the grain) with/without window	●		
<b>Wind taps</b>	✓		
<b>Curtain tension</b>	✓		
<b>Counterbalance</b>	✓		
<b>Drive unit</b>	electrical		
<b>Chain drive</b>	●		
<b>Control systems</b>			
ACS 50	✓		
ACS 60	● (up to door size 4500x4500mm)		
ACS 80	●		
Motor power / kW	1,1 KW		
<b>Safety</b>			
Electric safety contact edge	✓		
Door line photocell	✓		
Fall down protection	✓ via counterweights		
Knock-out capability	●		
Self-opening	depending on size		
Manual activation	✓ with bowden lever operated from the floor		
Second bowden lever	●		
Extended seal	●		
<b>Speed (m/s)</b>	<b>ACS 50</b>	<b>ACS 60</b>	<b>ACS 80</b>
Open/close up to max. / m/s	0,8/0,8	2,2/0,9	2,2/0,9
Fuse protection	6,3 A	6,3 A	10 A
Control voltage	24 V DC	24 V DC	24 V DC
Protection degree	IP 55	IP 55	IP 55
3/(N)/PE 230/400/415V; 50 Hz	✓	—	—
3/(N)/PE 400/415V; 50/60 Hz	✓	✓	✓
Other versions with transformer on request	●	●	●
Additional opening heights	—	—	✓
Potential free contacts max. 250 V	✓	✓	●
<b>Traffic light function</b>			
Without direction detection	✓	✓	●
With direction detection	—	—	●
Flashing alarm light	✓	✓	●
Error message	✓LEDs	✓LEDs	✓plain-text
✓ standard ●option — not available			
1) For doors of height ≤ 2500 mm the use of top roll and motor cover is required according to standard EN 13241-1.			





Fixing over lintel



Fixing to floor

## MATERIAL

The side frames of the door consist of galvanised steel profiles.

## TOP ROLL COVER <sup>1)</sup>

The basic model of the door is supplied without a cover for the top roll. A model with chamfered profiles is available as an option.

## CURTAIN

The door is supplied as standard with a curtain made of PVC with blue fabric stripes. Alternatively robust RollTex® curtains can be used.

## COLOUR

In addition to the standard blue, a large number of other colour options are available for the fabric stripes in the door curtain. If the robust RollTex® curtain is used, it can be fitted with a window for better visibility.

## SAFETY FEATURES

The door has an electric safety contact edge. A door line photocell also prevents the door closing when objects or people are in the way.



## MOTOR POSITION

The motor can be fitted on the left or right depending on the customer's choice.

## MOTOR COVER <sup>1)</sup>

Basic version supplied without cover. An optional plastic cover is available for the drive unit.

## CHAIN DRIVE

An optional chain drive can be used when space is at a premium at the sides. It is fitted in front of the side frames.

## CONTROL BOX

Three control systems are available as option depending on the desired opening speed, supply voltage and activator requirements to operate the door.

## KNOCK-OUT CAPABILITY

The door can be fitted with an optional knock-out capability. In the event of a crash, the bottom profile swivels out and a sensor stops the door. Mounting can then easily be done by hand.

## BOTTOM PROFILE

The bottom profile is made of aluminium. It can be fitted with an extended seal to improve the sealing properties e.g. when the floor is uneven..

## ACTUATORS

Depending on each individual application various additional safety-devices like infrared or radar detectors and all kind of industrial actuators (push button, vehicle detector loops, radio transmitter) can be added to the control system. Please contact us for counselling and providing your individual configuration.

Products shown may include optional accessories.

Notes:

<sup>1)</sup>For doors of height ≤ 2500 mm the use of top roll and motor cover is required according to standard EN 13241-1.



Products shown may include optional accessories.

**ALBANY DOOR SYSTEMS**

**ASIA**

KIARA PARK 174-1-7 • JLN. BURHANUDDIN HELMI  
TTDI, 60.000 KUALA LUMPUR  
PHONE: +60 (0) 3 77 27 01 84 • FAX: +60 (0) 3 77 27 01 84  
INFO.ADS.MY@ALBINT.COM

**AUSTRALIA**

23 FAUNCE ST. WEST GOSFORD • 2250 NSW  
PHONE: +61 (0) 2 / 43 23 23 86 • FAX: +61 (0) 2 / 43 29 11 45  
SALES.ADS.AU@ALBINT.COM

**GERMANY**

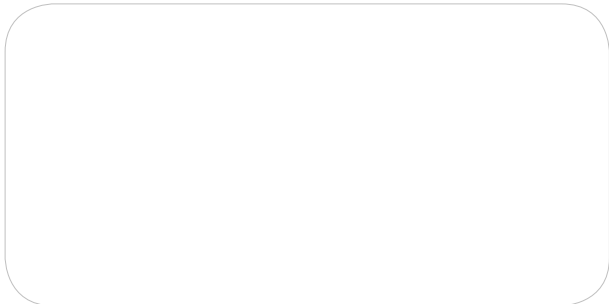
AM MONDSCHEN 25 • 59557 LIPPSTADT  
PHONE: +49 (0) 29 41 / 766-0 • FAX +49 (0) 2941 / 766-294  
VERKAUF.ADS.DE@ALBINT.COM

**SWEDEN**

BOX 509 • S - 301 80 HALMSTAD  
PHONE: +46 (0) 35/14 73 00 FAX: +46 (0) 35/14 73 99  
SALES.ADS.SE@ALBINT.COM

**USA**

975-A OLD NORCROSS ROAD • LAWRENCEVILLE • GA 30045-4321  
PHONE: +1 (0) 7 770 / 338 / 5000 • FAX: +1 (0) 770/338/5024  
SALES.ADS.US@ALBINT.COM



In most countries our doors are available through subsidiaries or representatives, see

[WWW.ALBANYDOORS.COM](http://WWW.ALBANYDOORS.COM)